

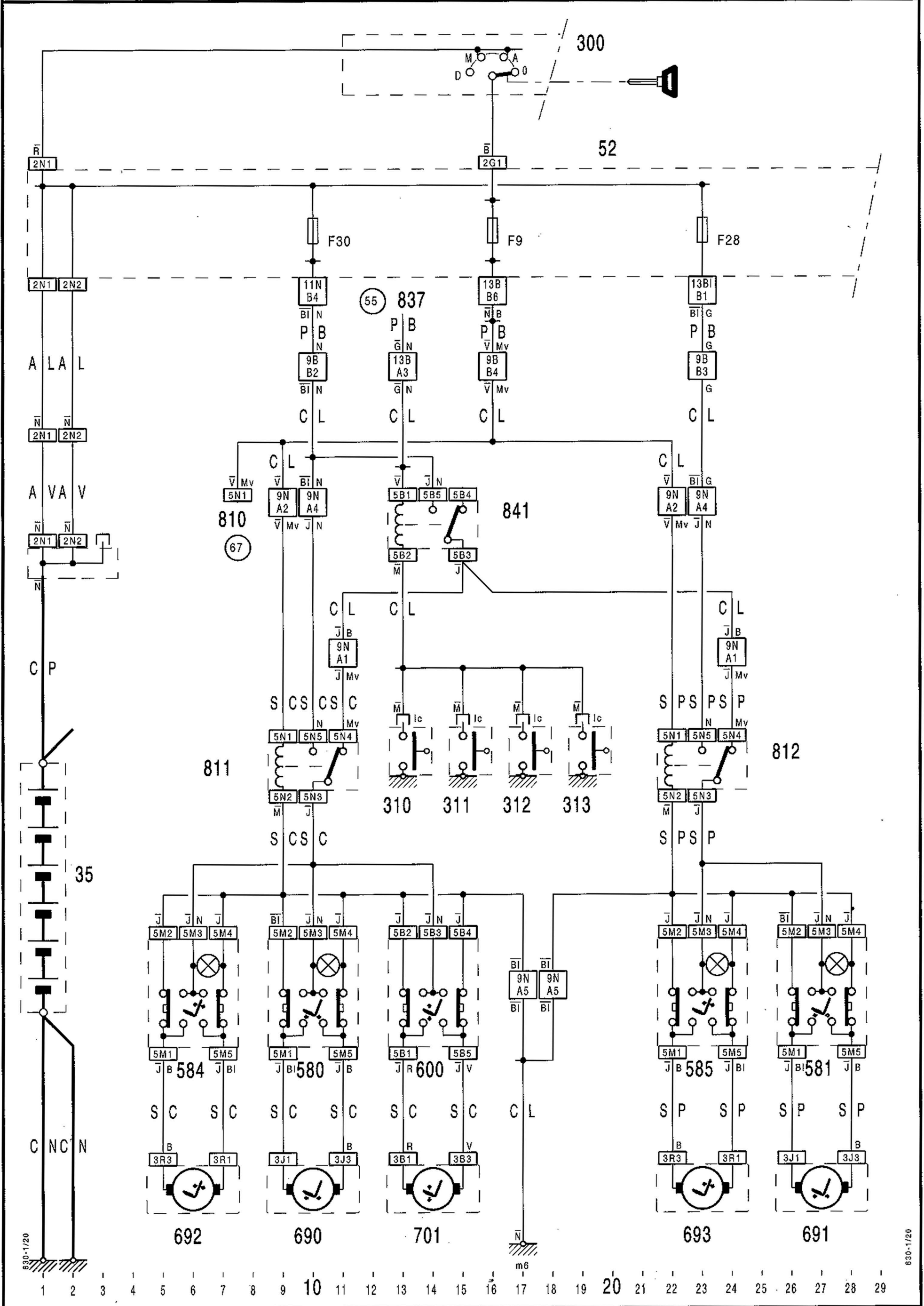


63



XM
630-1/20

5



630-1/20

630-1/20